

*OFFICIAL PREMIUM LIST*

*MANITOBA GAZEHOUND ASSOCIATION*

*2 Licensed Lure Coursing Field Trials*

*July 3 & 4, 2015*

*Morrison Sports Park  
Oakville, Manitoba*

*JUDGES:*

*Christine Gillies- 385 Amherst St., Wpg, Mb R3J 1Z1- July 3, 2015  
David Denis – 3186 Hertel Rd., Ladysmith, BC V9C 1C6 – July 4, 2015  
Lure Course Operator: Ken Hewitt, Christine Gillies*

*SEND ENTRIES TO: Trial Secretary*

*Valerie Andrey  
Box 892  
Carberry, Manitoba R0K 0H0  
204-834-2997  
[Stinger1@mymts.net](mailto:Stinger1@mymts.net)*

*PRE-ENTRIES CLOSE: June 26, 2015*

*FIELD ENTRIES CLOSE: 30 minutes prior to Roll Call  
Entries cannot be accepted by phone.  
Roll Call Friday and Saturday – (July 3 & 4th) 4:00pm*

*This Event held under the rules and regulations of the CANADIAN KENNEL CLUB.*

## OFFICERS OF THE CLUB

Event Superintendent:	Tannis Tindell
President:	Tannis Tindell
Vice President:	Christine Gilles
Secretary:	Val Andrey
Treasurer:	Val Andrey
Event Secretary:	Val Andrey

### *Entry Fees*

Pre-Entry: (up to June 26 ,2015)

\$20.00 1<sup>st</sup> hound per trial

\$17.00 2<sup>nd</sup> and subsequent hound per trial

Post-entry – (after June 26, 2015 & up to ½ hour prior to roll call) \$25.00 per dog

### Other Fees:

\$10.00 Singles Competition **See description**

**\$10.00 per entry/stake – All unofficial classes**

**\$8.40 CKC listing fee for all non- CKC registered hounds (includes 5% GST)**

**\$25.00 fee for NSF cheques**

Make cheques payable to MANITOBA GAZEHOUD ASSOCIATION

Any overpayment of entries fees is considered a trophy donation

NO CREDIT CARDS or POSTDATE CHEQUES will be accepted

### STAKES OFFERED

<u>Open stakes</u>	For all hounds including Field Champions
<u>Best in Field</u>	For all Best of Breed winners
<u>Singles</u> **	See Description elsewhere Both Days
<u>Puppy Sweeps</u> *	Puppies between 6 & 18 months are run once individually. Sat. only-
<u>Veteran Sweeps</u>	Dogs 7 years & older on date of trial. Run once individually. Sat. only
<u>Breeder Stake</u>	Open to any 2 hounds in the official classes bred by the same person(s) Sat. Only
<u>Kennel Stake</u>	Open to any 2 hounds in the official classes owned & kennelled by the same Person(s). Sat. Only

NOTE: \*\* Breeder & kennel stakes combinations must be declared prior to Roll Call

- Puppy Sweeps must not be entered in open stake

## PLACEMENT AND AWARDS

Chapter 7 Section 1. Championship points are awarded in regular stakes only on the following basis

- 1<sup>st</sup> 4 X # of hounds competing in stake, to a max of 40 points
- 2<sup>nd</sup> 3 X # of hounds competing in stake, to a max of 30 points.
- 3<sup>rd</sup> 2 X # of hounds competing in stake, to a max of 20 points
- 4<sup>th</sup> 1 X # of hounds competing in stake, to a max of 10 points.

NBQ No points

No hound shall receive a placement or points if it does not score at least 50% of the total possible combined scores. If a hound has been excused in the preliminary run, that hound shall not count as having been in competition. Exhibitors please note: As per rule 9.6.1(B) of the CKC Lure Field Trial Rules and Regulations a dog must "Attain 1 first or 2 second placements by defeating dogs in head to head.

"A judge officiating at a field trial under the rules and regulations of the CKC shall not be subjected to indignities of any kind during the progress of the field trial. It shall be the duty and obligation of the club holding the field trial to see that this regulation is effectively carried out. The Field Trial Chairperson shall promptly report to the Canadian Kennel Club any infringement of this regulation and the Discipline Committee shall have the power to take such action as it deems fit on receipt of a report indication that this regulation has been violated."

### AWARDS

Rosettes will be awarded for BIF. Strip ribbons will be given for placement 1<sup>st</sup> through to NBQ  
Novice flat ribbons awarded with qualified scores.

There will be prizes for Best in Field and Best of Breeds.

### ATTENTION EXHIBITERS

Pre-certs will be run Friday July 3rd . If anyone needs a dog pre-cert PLEASE contact our trial secretary to make arrangements.

There will be a \$10.00 fine for dogs loose on the field and not part of the course from after roll call to after Best in Field.

Effective January 12, 1992 all dogs that are foreign born and foreign owned and enter Canada for the sole purpose of entering CKC events will no longer require a CKC registration number but may obtain an Event Registration Number (ERN). This ERN number does not register a dog with the CKC for breeding purposed as defined in the Animal Pedigree Act but rather enables a foreign-born and foreign-owned dog to be awarded titles by the CKC. Each dog must have its own number. The ERN number must be applied for within 30 days of the first day of entering a CKC event.

Dogs may be entered as "listed" however failure to apply for an ERN number within 30 days of the first event will result in a cancellation of any wins, rewards or scores.

To obtain an ERN number, send a photocopy of the dog's registration certificate reflecting current ownership with a written request for an ERN number. Include a cheque, money order of credit card authorization for \$57.75. Ensure you have enclosed a full return address. Faxed request will be accepted. Forward your request to:

Canadian Kennel Club, Shows and Trials Division

200 Ronson Drive, Suite 400  
Etibicoke, Ontario, M9W 5Z9 Fax: 416-675-6506

\*\* People can park in the parking lot. Bathrooms available. Bring shade for your dogs.

People will be expected to clean up after themselves and their dogs. There will be a \$10.00 fine for those caught NOT cleaning up after their dogs.

\*\*SINGLE STAKES dogs will be run individually and scored by a judge. Hounds will run after the open stake has completed its preliminary round and then again after the open stake has completed its final round. A random draw will determine the order of running of dogs in this stake. Dogs must wear a blanket.

#### DIRECTIONS TO THE FIELD

- Oakville Fair Grounds. **Directions:**
- **Traveling west**
- Head southwest on Tupper St. N/MB-240 S (about 3 minutes)
- Turn left at E Saskatchewan Ave/Trans-Canada Hwy/MB-1A E/MB-240 S (signs for Trans Canada Highway/Manitoba 1 Alternate) Continue to follow Trans-Canada Hwy/MB-1A E. (about 7 minutes)
- Keep left at the fork, follow signs for MB-1 E/Trans Canada Highway/Yellowhead Highway/Winnipeg and merge onto Trans-Canada Hwy/MB-1 E. (about 17 minutes)
- Turn right at 331 Rd.
- Morrison Sports Park 475 PTH 331, MB R0H 0Y0.
- Traveling East- Take Trans Canada Hwy #1 Hwy 13 (other side of Portage La Prairie) turn right on Hwy 13. Continue about 2 miles. Park right on the cross road.

#### ACCOMODATION

Campers may camp right at the site.

Portage La Prairie

- Super 8 Motel – Hwy 1A W - 204-857-8883
- Days Inn – Hwy 1 & Yellow Quill – 204-857-9791

### JUDGING ASSIGNMENTS

	Friday	Saturday
Afghan	CG	DD
Basenji	CG	DD
Borzoi	CG	DD
Deerhound	CG	DD
Greyhound	CG	DD
Ibizan Hound	CG	DD
Irish Wolfhound	CG	DD
Italian Greyhound	CG	DD
Pharaoh Hound	CG	DD
Saluki	CG	DD
Whippet	CG	DD



OFFICIAL CANADIAN KENNEL CLUB FORM

LURE COURSING

**MANITOBA GAZEHOUD ASSOCIATION**

I Enclose \$ \_\_\_\_\_ for Entry Fees \$ \_\_\_\_\_ Listing Fees \$ \_\_\_\_\_  
Saturday Sunday

PLEASE TYPE OR PRINT CLEARLY

Breed \_\_\_\_\_ Call Name: \_\_\_\_\_ Sex \_\_\_\_\_

Enter in the following Stakes OPEN\_\_SINGLE\_\_PUPPY\_\_VETERAN\_\_UNOFFICIAL\_\_

Please separate my entries \_\_\_ Hound's first trial \_\_\_ (attach Certification Form)

Registered

Name of the Dog \_\_\_\_\_

Check one and enter number here:

\_\_\_ CKC Reg. No. Date of Birth \_\_\_\_\_

\_\_\_ CKC ERN or PEN No.

\_\_\_ CKC Misc. Cert No.

\_\_\_ Listed

\_\_\_ Foreign No. & Country

Place of Birth:  
Canada \_\_\_ Elsewhere \_\_\_\_\_

Breeder(s) \_\_\_\_\_

Sire: \_\_\_\_\_

Dam: \_\_\_\_\_

Reg'd Owner(s) \_\_\_\_\_

Owners Address: \_\_\_\_\_

City: \_\_\_\_\_

Name of Owner's Agent (if any) at the Trial \_\_\_\_\_

Agents Address \_\_\_\_\_

City \_\_\_\_\_ Prov. \_\_\_\_\_ PC \_\_\_\_\_

I certify that I am the registered owner(s) of the dog or that I am the authorized agent of the owner(s) whose name(s) I have entered above and accept full responsibility for all statements made in this entry. In consideration of the acceptance of this entry I (we) agree to be bound by the rules and regulations of the Canadian Kennel Club and by any additional rules and regulation in the premium list.

\_\_\_\_\_  
SIGNATURE OF OWNER OF AGENT

\_\_\_\_\_  
TELEPHONE



**CANADIAN KENNEL CLUB**  
 200 RONSON DRIVE, SUITE 400, ETOBICOKE, ONTARIO, M9W 5Z9 TEL: (416) 675-5511 FAX: (416) 675-6505  
 WEBSITE: www.ckc.ca

**CLUB CANIN CANADIEN**

**HOUND CERTIFICATION**

A hound must be tested with another dog of the same breed or a breed with a similar running style (preferably not a kennel mate), and certified running clean by a licensed judge.

Hounds must be a minimum of 11 months old prior to being certified, and must run a course of 600 yards (548.4m) in order to be certified. Please complete the bottom half of this form and attach it to the entry form for the hound's first entry in a trial. (see Section 7.1.1)

Registered Name of Hound: \_\_\_\_\_  
 CKC Reg # \_\_\_\_\_ Breed: \_\_\_\_\_

Registered Owner's Name: \_\_\_\_\_

I hereby certify that on (date) \_\_\_\_\_ the above named hound completed a lure course of at least 600 (548.4 m) yards running with another hound of the same breed (or another breed with a similar running style). During the course the above named hound showed no inclination to interfere with the other hound. I further certify that I am a regularly licensed judge.

Name of Licensed Judge \_\_\_\_\_

Signature: \_\_\_\_\_ Date \_\_\_\_\_

I hereby certify that the hound run in the certification course is the hound identified above and that the information on this form is correct.

Signature: \_\_\_\_\_ Date \_\_\_\_\_  
 Owner or authorized Agent of hound \_\_\_\_\_

**Waiver of Requirement:** This requirement will be waived for a hound that has earned a lure coursing title from another recognized organization if such title required competition, and if a waiver for such title has been approved by the Canadian Kennel Club. If your hound qualifies for a waiver, complete the top half of this form and attach it to your entry form.

AKC Titles:  QC  SC ASFA Titles: FCh  VFCh

This certification form must be attached to the entry form the first time this hound is entered. Any hound entered in open which has not been certified shall be declared ineligible and shall forfeit any points and placements awarded.

PLEASE RETAIN A COPY FOR YOUR RECORDS



**CANADIAN KENNEL CLUB**  
 200 RONSON DRIVE, SUITE 400, ETOBICOKE, ONTARIO, M9W 5Z9 TEL: (416) 675-5511 FAX: (416) 675-6505  
 WEBSITE: www.ckc.ca

**CLUB CANIN CANADIEN**

**HOUND CERTIFICATION**

A hound must be tested with another dog of the same breed or a breed with a similar running style (preferably not a kennel mate), and certified running clean by a licensed judge.

Hounds must be a minimum of 11 months old prior to being certified, and must run a course of 600 yards (548.4m) in order to be certified. Please complete the bottom half of this form and attach it to the entry form for the hound's first entry in a trial. (see Section 7.1.1)

Registered Name of Hound: \_\_\_\_\_  
 CKC Reg # \_\_\_\_\_ Breed: \_\_\_\_\_

Registered Owner's Name: \_\_\_\_\_

I hereby certify that on (date) \_\_\_\_\_ the above named hound completed a lure course of at least 600 (548.4 m) yards running with another hound of the same breed (or another breed with a similar running style). During the course the above named hound showed no inclination to interfere with the other hound. I further certify that I am a regularly licensed judge.

Name of Licensed Judge \_\_\_\_\_

Signature: \_\_\_\_\_ Date \_\_\_\_\_

I hereby certify that the hound run in the certification course is the hound identified above and that the information on this form is correct.

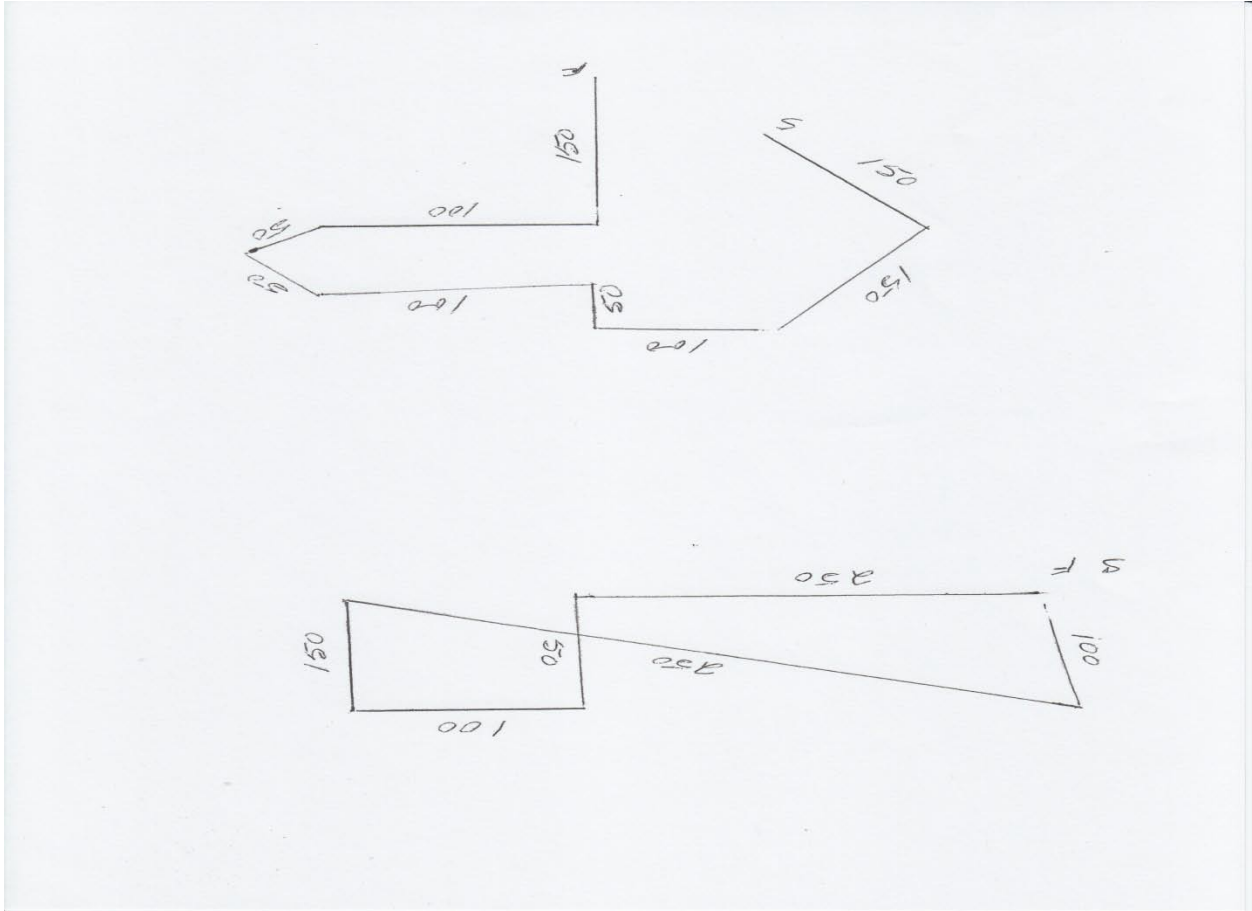
Signature: \_\_\_\_\_ Date \_\_\_\_\_  
 Owner or authorized Agent of hound \_\_\_\_\_

**Waiver of Requirement:** This requirement will be waived for a hound that has earned a lure coursing title from another recognized organization if such title required competition, and if a waiver for such title has been approved by the Canadian Kennel Club. If your hound qualifies for a waiver, complete the top half of this form and attach it to your entry form.

AKC Titles:  QC  SC ASFA Titles: FCh  VFCh

This certification form must be attached to the entry form the first time this hound is entered. Any hound entered in open which has not been certified shall be declared ineligible and shall forfeit any points and placements awarded.

PLEASE RETAIN A COPY FOR YOUR RECORDS



### Course Plans

The club reserves the right to alter the course plan as required by weather and/or field conditions on the day of the trial. Course will be reversed for finals and again for run-offs and BOB. Field is mowed grass.







Official Entry Form  
**Specialty Show**  
**Saturday, July 4, 2015**  
**MANITOBA GAZEHOUND ASSOCIATION**

Mail Entries to: Portage Kennel Club c/o Tammy Dunbar, 701 Fisher Ave E  
 Portage la Prairie, MB R1N 0G3  
 Closing Date: Tuesday, June 16, 2015

Do not write above

Entry \$ \_\_\_\_\_  
 Listing \$ \_\_\_\_\_  
 Cat Power \$ \_\_\_\_\_  
 Total \$ \_\_\_\_\_

Breed: \_\_\_\_\_ Variety: \_\_\_\_\_ Sex: \_\_\_\_\_

Enter in the following classes: FEES: \$28/class

Junior Puppy  Senior Puppy  12-18 Months

Canadian Bred  Bred by Exhibitor  Open  Exhibition Only

Specials Only  Altered Class  Veterans

FEES: \$10/class

REG NAME OF DOG \_\_\_\_\_

Check One and Enter Number

CKC Reg. No. \_\_\_\_\_

Listed # \_\_\_\_\_

CKC ERN No. \_\_\_\_\_

Date of Birth: D \_\_\_ M \_\_\_ Y \_\_\_ Is this a Puppy? Yes \_\_\_ No \_\_\_

Place of Birth:  Canada  Elsewhere

Breeder(s) \_\_\_\_\_

Sire \_\_\_\_\_

Dam \_\_\_\_\_

Reg'd Owner(s) \_\_\_\_\_

Owner's Address \_\_\_\_\_ Prov \_\_\_\_\_ Postal Code \_\_\_\_\_

City \_\_\_\_\_

Agent's Name \_\_\_\_\_

Agent's Address \_\_\_\_\_ Prov \_\_\_\_\_ Postal Code \_\_\_\_\_

City \_\_\_\_\_

Mail ID to: Owner \_\_\_\_\_ Agent \_\_\_\_\_

FAX ENTRIES INFORMATION

CARD NUMBER \_\_\_\_\_ EXPIRY DATE \_\_\_\_\_

Name of Card Holder \_\_\_\_\_ CVV code \_\_\_\_\_

SIGNATURE OF OWNER OR AGENT \_\_\_\_\_ TELEPHONE \_\_\_\_\_

email \_\_\_\_\_

I hereby declare that the registered owner(s) of the dog of that I am the authorized agent of the owner(s) whose name(s) I have entered on this form is/are the same as the name(s) of the dog(s) in this entry in accordance with the rules and regulations of the Canadian Kennel Club and by any additional rules and regulations appearing in the Premium List.



**Manitoba Gazehound Association Specialty**  
**Saturday, July 4, 2015**  
 Judge \_\_\_\_\_

CONFORMATION - Regular & Non-Regular Classes - David Denis

Entries Close

Tuesday, June 16<sup>th</sup>, 2015 at 9:00 pm CDT

Show Secretary: Tammy Dunbar - tdunbar@mynts.net

- The Following Breeds are eligible for this Specialty:
- AFGHAN HOUND
  - BARSOI
  - BASENJI
  - BERBER HOUND (SCOTTISH)
  - IBIZAN HOUND
  - PHAROAH HOUND
  - IRISH WOLFHOUND
  - WHIPPET
  - SANDKI

**MGA Executive**

President—Tannis Tindell Vice President—Christine Gilles Sec/Treas—Val Andry

Entry Fees: All Classes \$28/entry; Listing Fee \$8.82/entry; Exhibition Only \$10.00/entry

**Classes Offered**

**Regular Classes:** The following CKC classes (divided by sex) will be offered at this Specialty:  
 6-9 months; 9-12 months; 12-18 months; Canadian Bred; Bred By Exhibitor;  
 Open; Veterans; Specials Only.

**Sexually Altered Classes:**

Two classes only will be offered - Altered Male and Altered Female. The Winners from each Class will compete for Best Altered in Breed.  
**BEST IN SPECIALTY** - All Breed winners will compete for Best in Specialty. All Best Puppy in Breed winners will compete for Best Puppy in Specialty. All Best Altered in Breed winners will compete for Best Altered in Specialty.

**Ribbons / Prizes Offered**

Appropriate Ribbons will be provided for the following wins for each Breed: BOB, BOS, BFF, SM, SF, BP, BY, BA, WMA, WF, VM, VF, AM, AF and all classes placements  
 A Rosette & Prize for Best in Specialty; Best Puppy in Specialty; Best Altered in Specialty.

The MGA is also hosting a Lure Coursing Trial on Saturday, July 4, 2015 at the Morrison Park in Oakville, MB. For further information, please contact Val Andrey - val\_andrey@yahoo.ca